

Linear Actuators

JC35L19 Series



TECHNOLOGY
DRIVES INTELLIGENT LIFE

Data sheet

JC35L19 Series

- JC35L19 series have slider type and gun type, tiny appearance and compact structure.
- JC35L19-C has a built-in limit switch, which can be adapted to the needs of different customers.
- Low noise level and high self-locking force design can meet the wide selection of integrated stoves and range hoods on the market.



JC35L19-A



JC35L19-B



JC35L19-C

Features

- Max Thrust: 100 N
- Max speed at 0 Load: 14 mm/s
- Max speed at full Load: 9 mm/s
- Max current at full Load <0.7 A
- Static Load Push/Pull >100 N
- Input Voltage: 12 V DC
- Input Power: 8 W
- Stroke Length: 20 ~ 250 mm
- Stall Current <1.6 A
- Colour: Black
- Mounting Method: Outer tube 4-M4 or optional top/end clevis
- Limit Method: Stall current or built-in switch
- Limit Switch: A/B:None, C:Built-in
- IP Grade: IP20

Usage

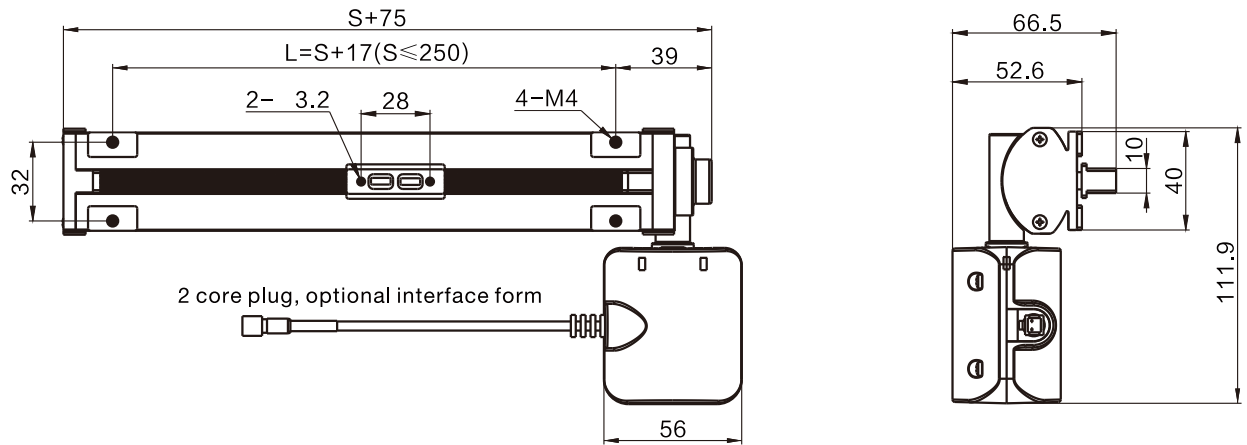
- Duty Cycle: Continues
- Ambient Temperature: -20°C ~ 65°C
- Ambient Humidity: 20% - 90%
- Noise Level : <45 dB

Technical specifications

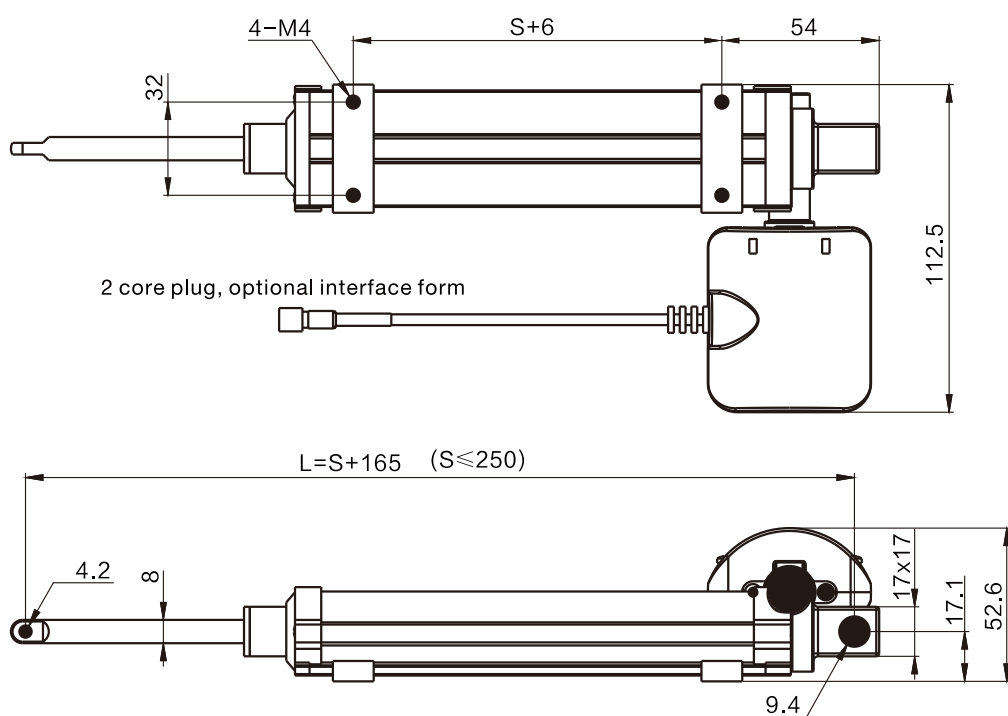
Input Voltage (VDC)	Max Thrust (N)	Speed at Full/0 Load (mm/s)	Stroke Length (mm)	Static Load Push/Pull (N)	Max current at full Load (A)
12	100	9/14	20-250	> 100	< 0.7

Dimensions

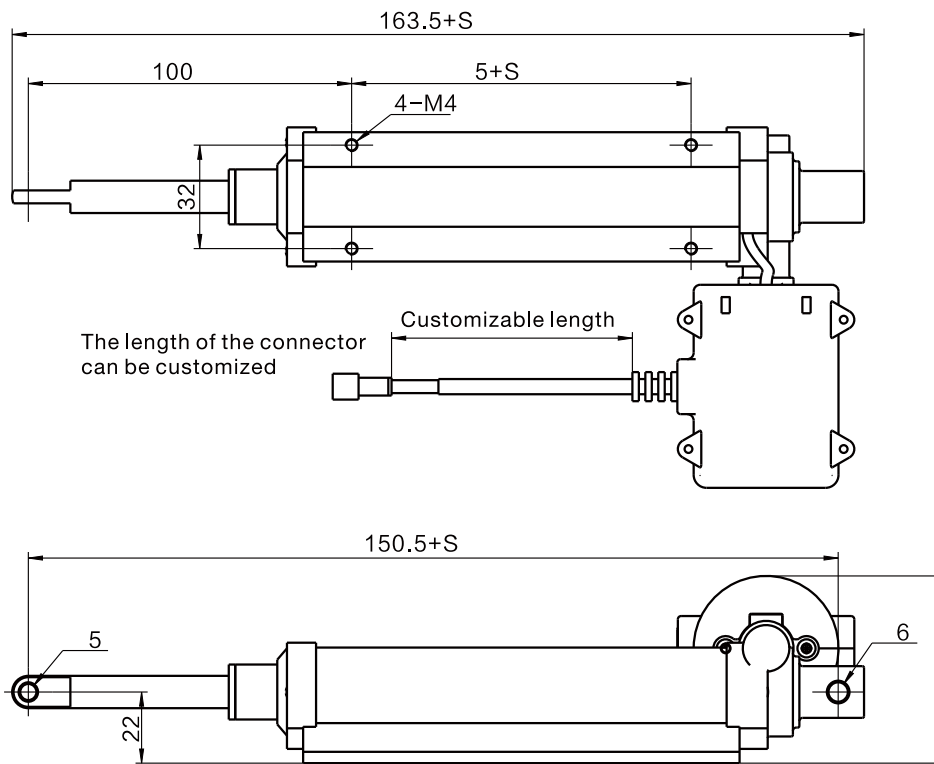
- JC35L19-A



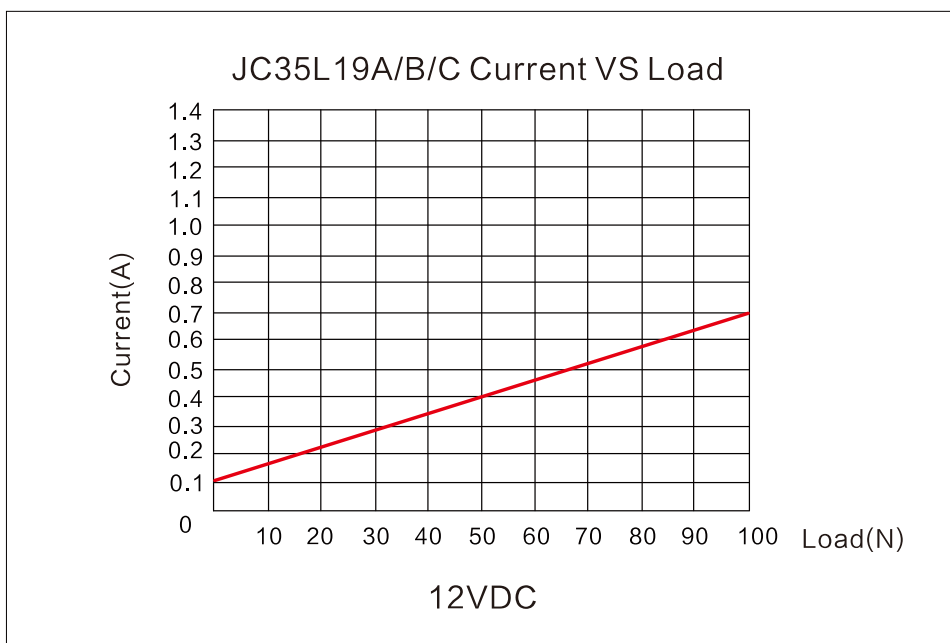
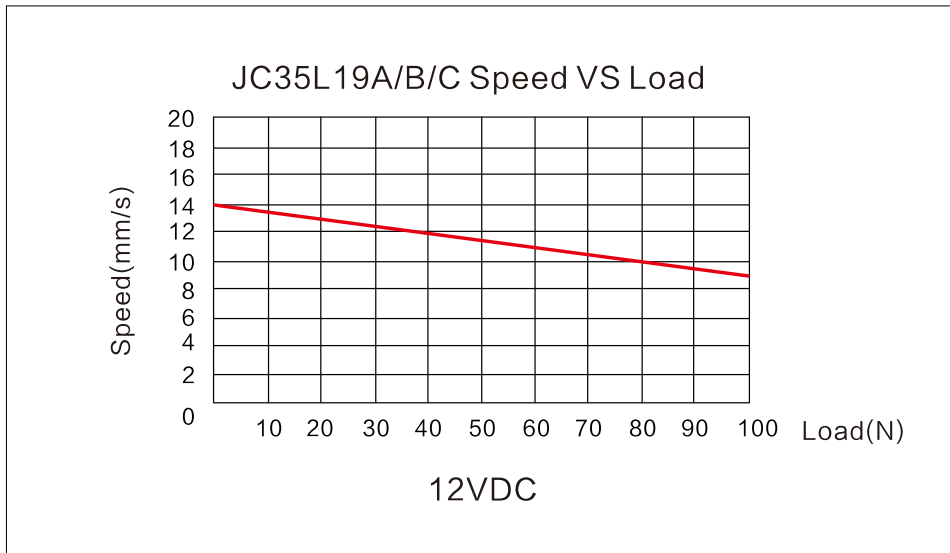
- JC35L19-B



- JC35L19-C



Characteristic curve



Ordering Key

JC35L19X - OD1 - 10 - 12 - 188/205 - B1 - F1 - 75 - OD16 - 01

